

NEW PRODUCT!

EPSILON™ Siren Series, Economy

100 AND 200 WATT SELF-CONTAINED ELECTRONIC SIRENS



EPSL1



EPSL2S4



NEW



EPSL2S7

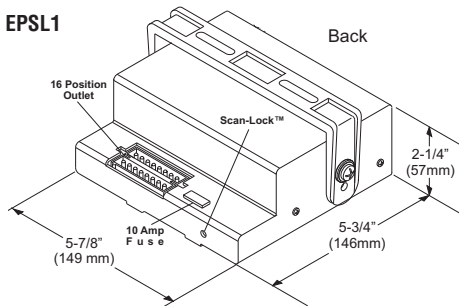
NEW

The Epsilon Siren Series provides a wide range of features in a low cost siren that meets SAE Class A sound requirements and is California Title 13 compliant. Epsilon provides hands-free operation, public address, Scan-Lock™ multiple warning tones and real time diagnostix!

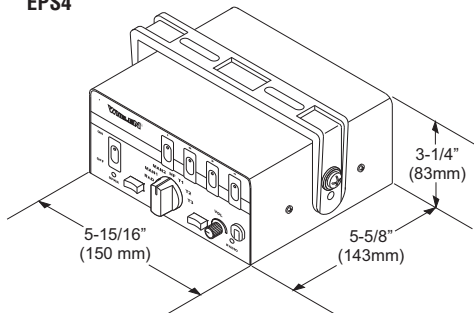
FEATURES

- 100 and 200 watt versions.
- Model EPSL2S7 features seven power control outlets.
- Model EPSL2S4 provides four power control outlets.

EPSL1



EPS4



- Meets SAE Class A sound requirements when used with most 100 watt speakers.
- Meets California Title 13 requirements.
- LED Backlighting.
- Real-time diagnostix™ indicator:
 - Steady light:** the siren is operating correctly.
 - Single flashes:** speaker is short circuited.
 - Indicator off:** speaker is not at full output.
- Nine Scan-Lock™ siren tones to choose from: Tone off, Wail, Yelp, Airhorn, Hi/Low, Piercer, Y249, Manual wail coast to stop and Manual wail stop.
- Wail, Yelp, and Y249 are California Title 13 compliant tones.
- Hands-free operation/override from the horn ring.
- Scan-Lock switch is "security" located on the rear to ensure all fleet sirens are set with the same tone sequences.
- Front of unit provides a PA volume control knob for the noise-cancelling microphone, On/Off switch, manual button and 7-position tone/radio rotary switch.
- 12 VDC.

- Installation package includes all the necessary mounting hardware and input pigtail connector.
- Rotary switch allows choice of standby for use with the manual button, manual tone 1 & 2. Hands-free position allows horn ring operation of the siren and tone 1, 2 and 3 positions. Each of these tone positions has an override tone when the manual button is depressed.
- Easy to install. Pre-wired with quick disconnect plug for easy service and prompt replacement.
- Twenty-four month warranty.

MODELS

EPSL1: 100 watt amplifier.

EPSL2S4: Operates one or two 100 watt siren speakers, four switch controlled outlets. Power switches-20 amps max.

EPSL2S7: Operates one or two 100 watt siren speakers, seven switch controlled outlets. Power switches-20 amps, max; slide switch relay outlets: 20 amps max/50 amps combined max. Programmable slide switch standard.

WHELEN®
ENGINEERING COMPANY, INC.

51 Winthrop Road
Chester, Connecticut 06412-0684
(860) 526-9504 • Fax: (860) 526-4078
www.whelen.com

Engineers for the Emergency Warning Industry



Whelen Products
are Proudly Made
in the U.S.A.

Form# EPSI0409

© 2009 Whelen Engineering Co., Inc. Printed in U.S.A.
Code No. 12233B-0409
Whelen Engineering reserves the right to upgrade and improve products without notice.

Epsilon™ Siren Series